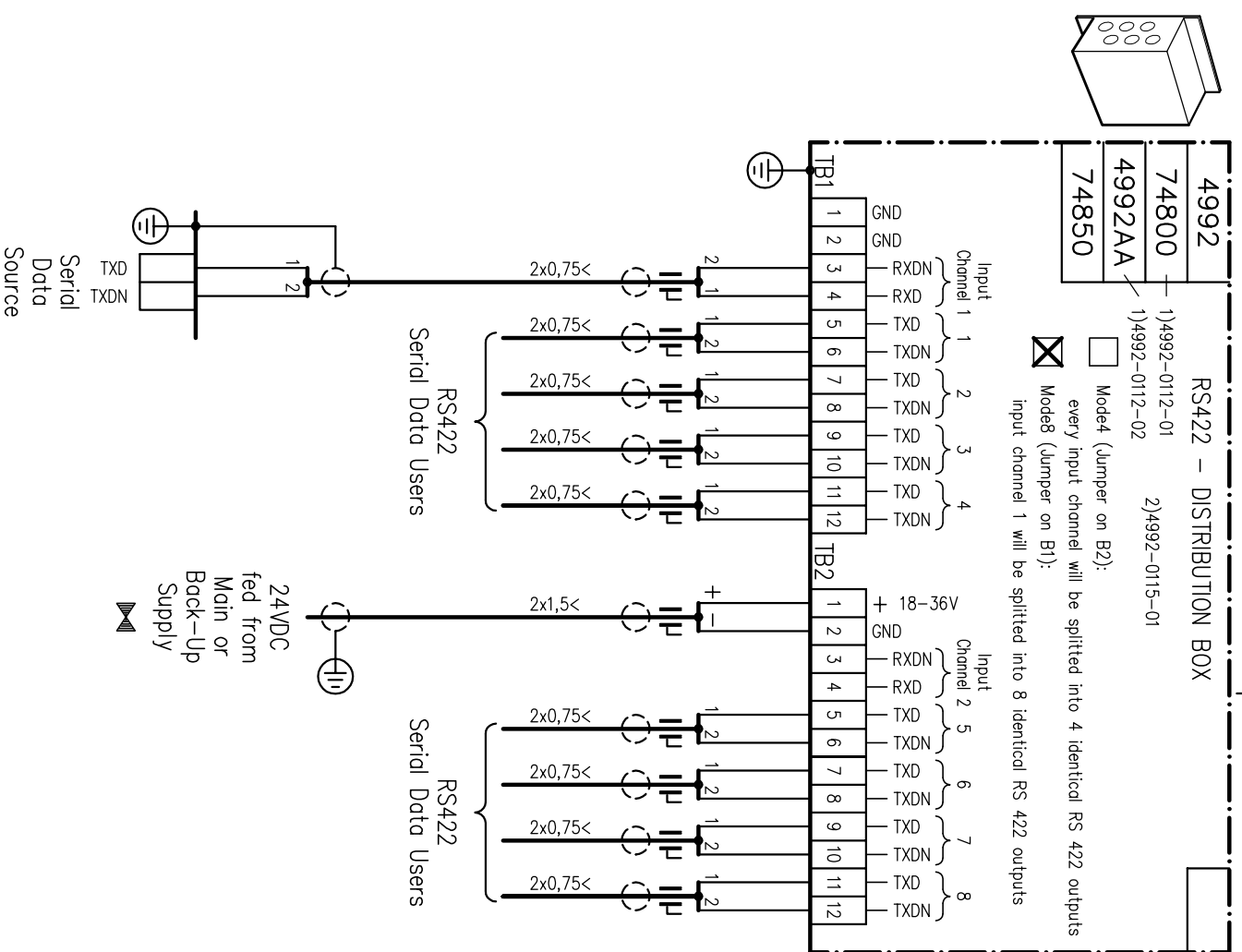
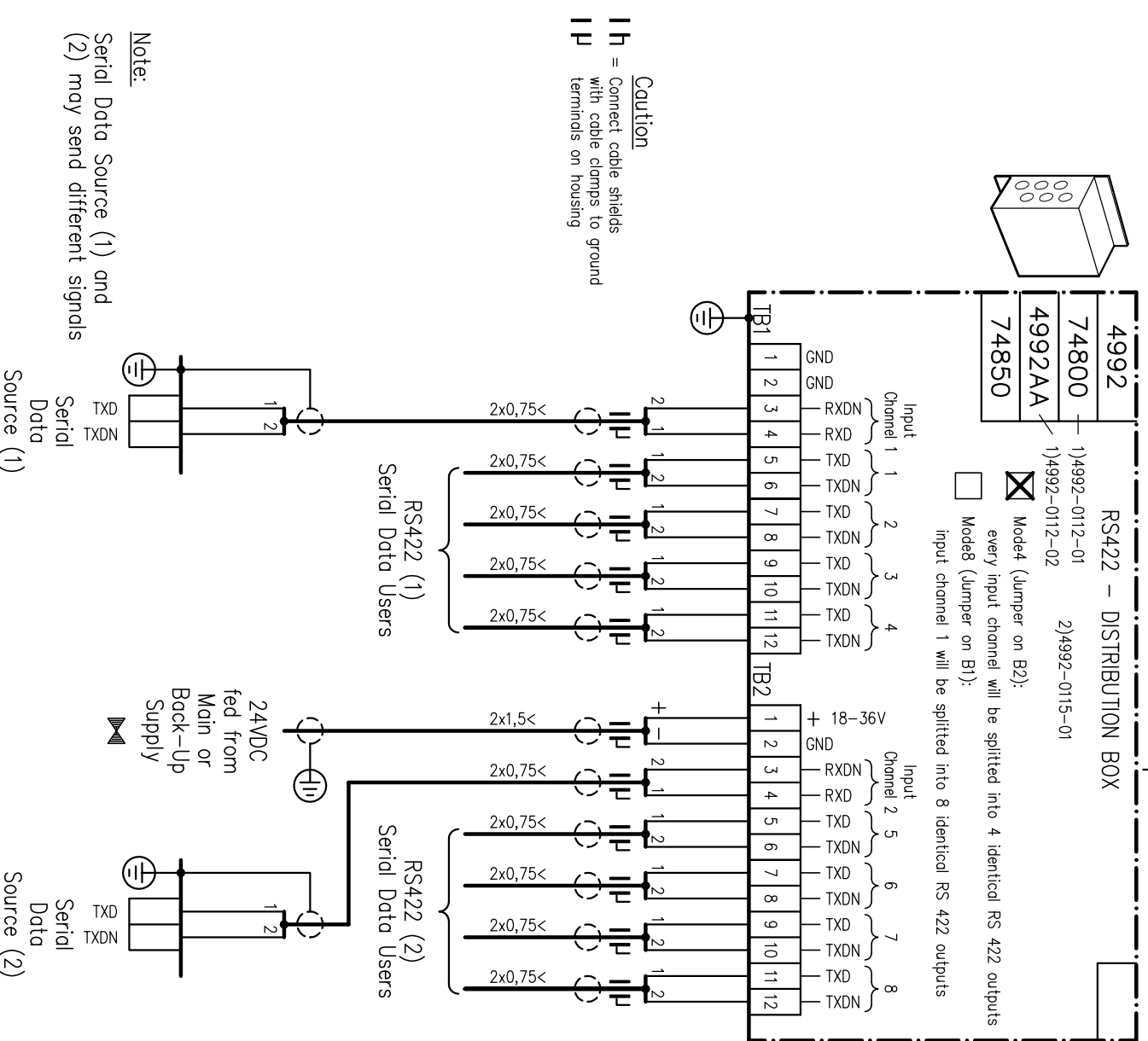


Example connection to NAVIGAT MK1 / MK2 / 2100 / 3000 NAVIKNOT Speed Log or other serial data sources

One source with 8 Outputs



Two sources with 4 Outputs each

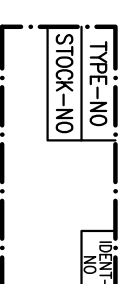


- General Notes:**
- All cables ship/yord supplied unless otherwise specified
 - Components Owner – or Yard – Delivery
 - Cables delivered by Sperry Marine
 - All cables to be screened, unless otherwise specified
 - All units unless otherwise specified to be directly connected to ship's earth
 - Cable diameters acc. to classification requirements unless otherwise stated
 - All cables to include a min 1/10 of unused conductors
- © NORTHROP GRUMMAN SPERRY MARINE
- The user's attention is drawn to the "Instructions for use and modification of NCSM AutoCAD drawing files". Only modifications and distribution of the AutoCAD drawing files as permitted by such instructions are allowed <http://www.sperrymarine.com/legal>
- Based on Sperry Marine Drawing-No. / Rev.
- 4992-0153-11/C
- SHEET 1
SHEETS 1

- REMARKS**
- Dimension Drawing
 - Wiring Diagram
- if required
 Screened Cable
 all cables marked with letters of max. 3m length

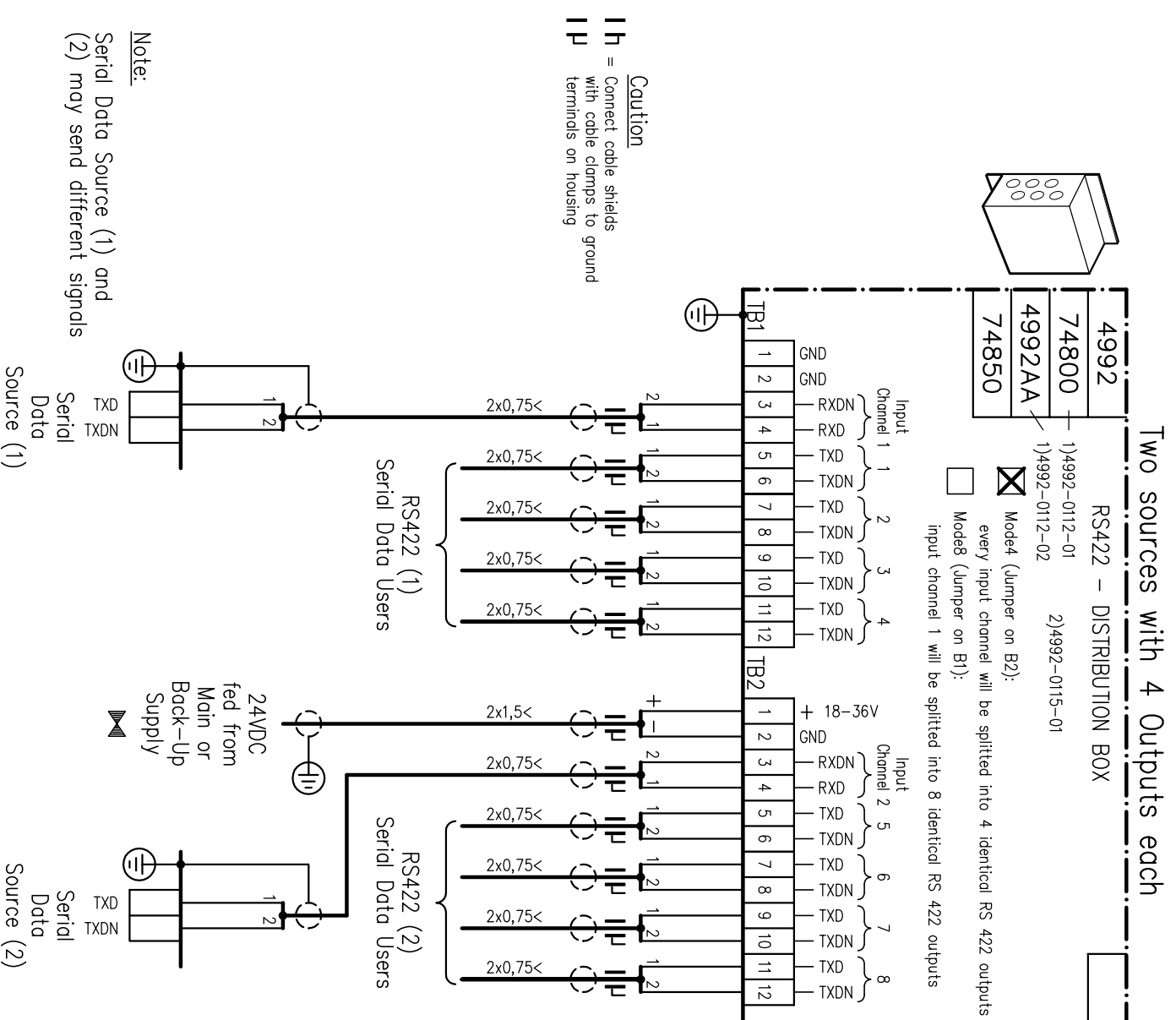
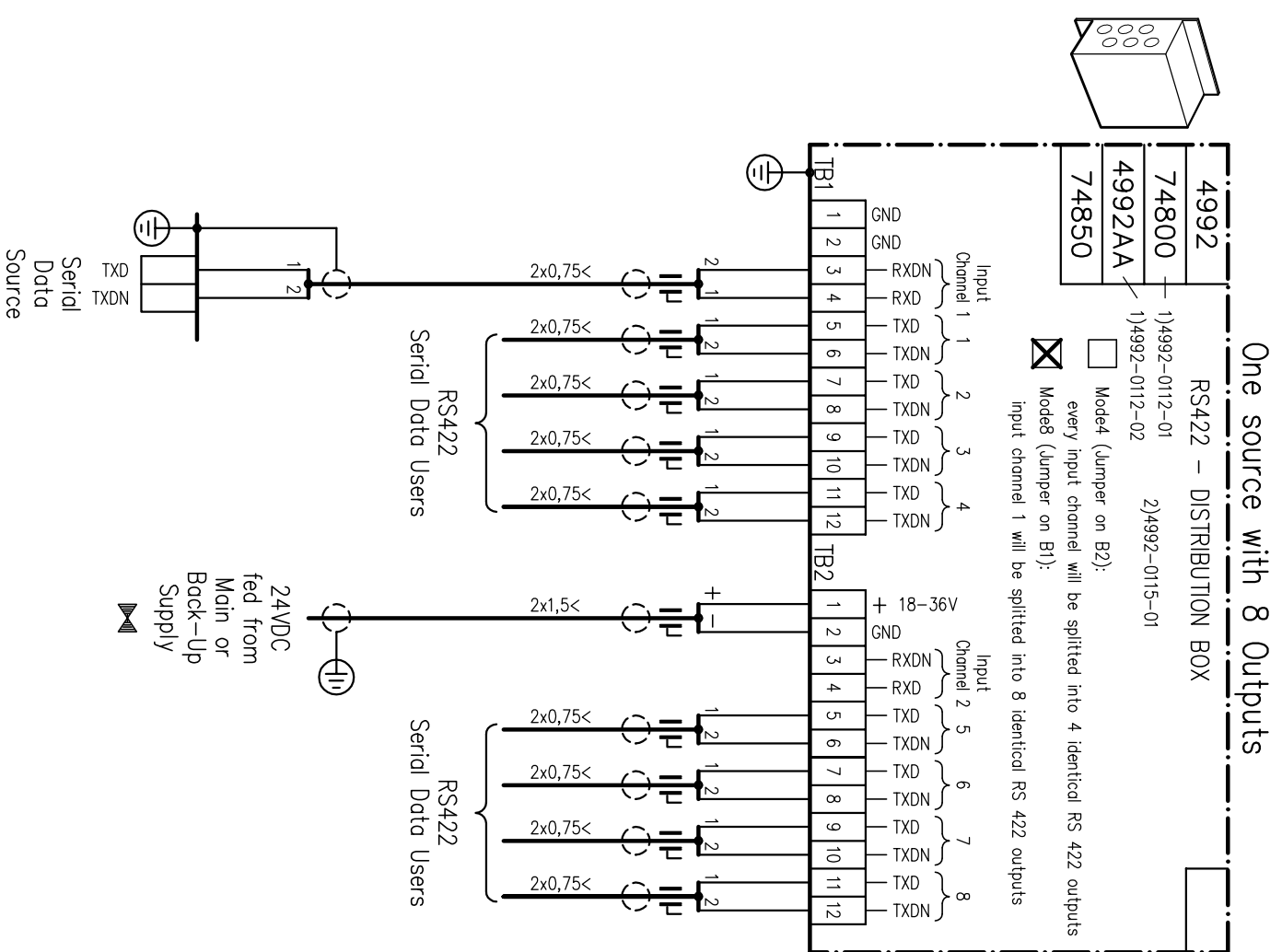
Caution

All Power Supplies must be separately fused!
 All Housings must be grounded!
 If screened cables are not grounded as shown, malfunction will occur!



Version I for use with Own Title Block

Example connection to NAVIGAT MK1 / MK2 / 2100 / 3000 NAVIKNOT Speed Log or other serial data sources



Caution
Connect cable shields with cable clamps to ground terminals on housing

Note:
Serial Data Source (1) and (2) may send different signals

Version II with Standard Title Block for Integrator to fill in related information

TYPE-NO	IDENT-NO
STOCK-NO	

REMARKS

- 1) Dimension Drawing
- 2) Wiring Diagram
- if required
- < Screened Cable
- Ⓜ all cables marked with letters are Sperry Marine Supply of max. 3m length

Caution

All Power Supplies must be separately fused!
All Housings must be grounded!
If screened cables are not grounded as shown, malfunction will occur!

General Notes:

1. All cables shipyard supplied unless otherwise specified
2. Components Owner- or Yard-Delivery
3. Cables delivered by Sperry Marine
4. All cables to be screened, unless otherwise specified
5. All units unless otherwise specified to be directly connected to ship's earth
6. Cable diameters acc. to classification requirements unless otherwise stated
7. All cables to include a min 1/10 of unused conductors

Revision History

REV	Record-No.	DATE	NAME	DESCRIPTION
-	-	-	-	-

© NORTHROP GRUMMAN SPERRY MARINE

The user's attention is drawn to the "Instructions for use and modification of NCSM AutoCAD drawing files". Only modifications and distribution of the AutoCAD drawing files as permitted by such instructions are allowed <http://www.sperrymarine.com/legal> based on Sperry Marine Drawing-No. / Rev.
4992-0153-11/C

TITLE

RS422 DISTRIBUTION

System Integrator's DRAWING No.

Please enter company name here!

SHEET 1
SHEETS 1